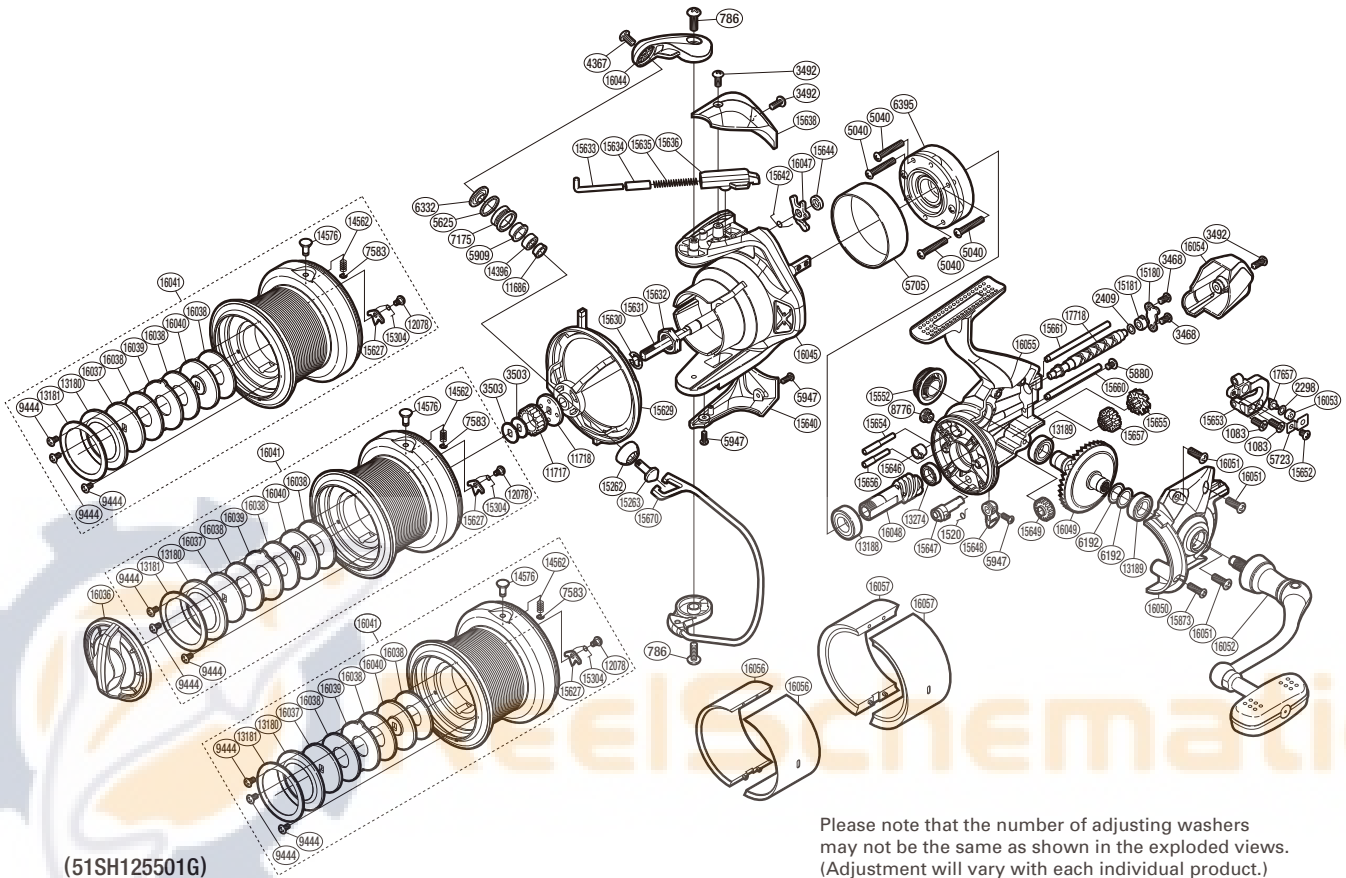


SHIMANO

ULTEGRA CI4+ XSB



ULCI4+ 5500XSB



Please note that the number of adjusting washers may not be the same as shown in the exploded views. (Adjustment will vary with each individual product.)

(51SH125501G)

Part No.	Description	Part No.	Description	Part No.	Description
RD 0786	Screw	RD13189	Ball Bearing	RD15654	Idle Gear B Shaft
RD 1083	Screw	RD13274	Ball Bearing	RD15655	Idle Gear B
RD 1520	Anti-Reverse Cam Spring	RD14396	Ball Bearing	RD15656	Idle Gear C Shaft
RD 2298	Spacer	RD14562	Line Clip Spring	RD15657	Idle Gear C
RD 2409	Spacer	RD14576	Line Clip	RD15660	Oscillating Guide A
RD 3468	Screw	RD15180	Worm Shaft Retainer	RD15661	Oscillating Guide B
RD 3492	Screw	RD15181	Worm Bushing (rear)	RD15670	Bail Assembly
RD 3503	Spool Washer	RD15262	Line Roller Support Cover	RD15873	Screw
RD 4367	Screw	RD15263	Line Roller Support	RD16036	Drag Knob
RD 5040	Screw	RD15304	Drag Click Spring	RD16037	Key Washer
RD 5625	Line Roller Spacer	RD15552	Handle Screw Cap	RD16038	Drag Washer
RD 5705	Roller Clutch Ring	RD15627	Drag Click	RD16039	Eared Washer
RD 5723	Oscillating Pawl Cover	RD15629	Line Safety Guard	RD16040	Key Washer
RD 5880	Screw	RD15630	E Lock	RD16041	Spool Assembly
RD 5909	Line Roller Bushing	RD15631	Main Shaft	RD16044	Bail Arm
RD 5947	Screw	RD15632	Rotor Nut	RD16045	Rotor
RD 6192	Washer	RD15633	Bail Spring Guide A	RD16047	Bail Trip Lever
RD 6332	Line Roller Washer	RD15634	Bail Spring Guide A Support	RD16048	Pinion Gear
RD 6395	Roller Clutch Assembly	RD15635	Bail Spring	RD16049	Drive Gear
RD 7175	Line Roller	RD15636	Bail Spring Guide B	RD16050	Side Cover
RD 7583	E Lock	RD15638	Bail Spring Cover	RD16051	Screw
RD 8776	Oil Cap	RD15640	Bail Hold Support Guard	RD16052	Handle Assembly
RD 9444	Screw	RD15642	Lever Spring	RD16053	Oscillating Slider Bushing
RD11686	Bearing Spacer	RD15644	Washer	RD16054	Rear Protector
RD11717	Spool Support A	RD15646	Worm Bushing (front)	RD16055	Body
RD11718	Spool Support B	RD15647	Anti-Reverse Cam	RD17657	Oscillating Pawl
RD12078	Screw	RD15648	Anti-Reverse Lever	RD17718	Worm Shaft
RD13180	Seal Plate A	RD15649	Idle Gear		
RD13181	Seal Plate B	RD15652	Screw	RD16056	Spool Economizer A (4500) (accessory)
RD13188	Ball Bearing	RD15653	Oscillating Slider	RD16057	Spool Economizer B (3500) (accessory)

(151107)